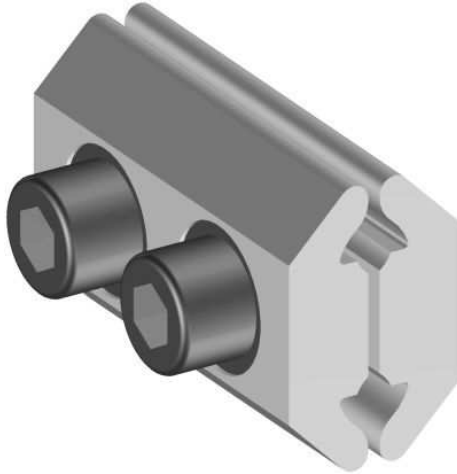


Mains or service branch
connector

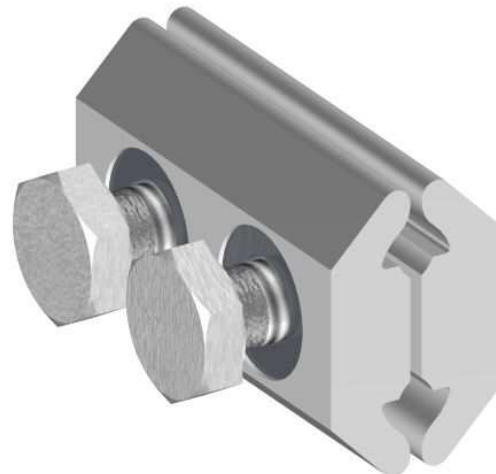
**MECHANICAL
CONNECTORS**



BST/P Connector



BST/P(H) Connector



Principle Application:

Any combination of solid sector shaped aluminium conductors between 50mm² and 70mm².

Secondary Application:

This connector is also suitable for parallel straight - through configurations within the above conductor range.

The **Hepworth 'BST/P'** and **'BST/P(H)'** connector has been designed to accommodate three or four core sector shaped solid aluminium conductors in the range 50-70mm².

Each connector is supplied in a sealed polythene bag, and details of fitting procedures are included in the technical data overleaf.

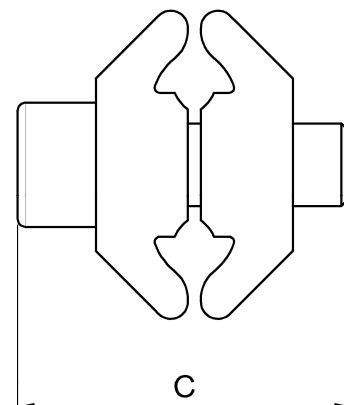
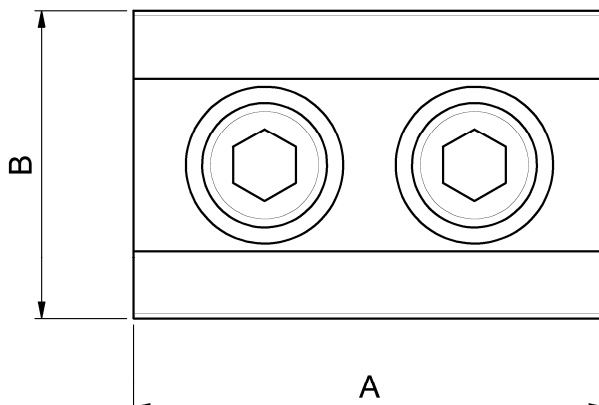
NOTE: If required the **BST/P** connector can also be supplied with 13mm A/F hexagon head set screws, **Product code BST/P(H)**.

Mains or service branch
connector

MECHANICAL CONNECTORS

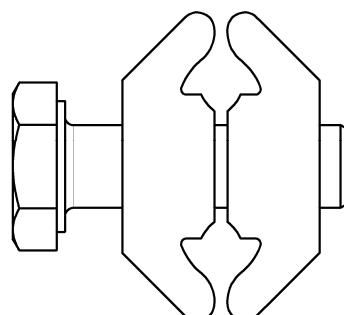
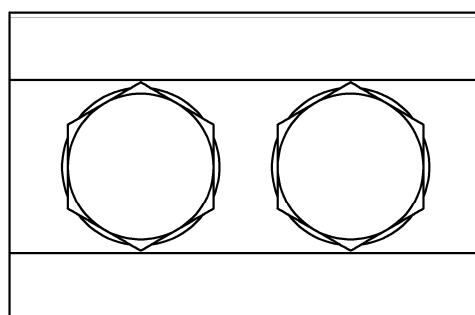
BST/P Connector

Physical Dimensions



BST/P(H) Connector

Physical Dimensions



Connector Reference	Dimensions (mm)		
	A	B	C
BST/P	36	23	26
BST/P(H)	36	23	26

Material:

Aluminium Alloy

Fitting Instructions:

Strip the insulation from the mains core at the required position using the length of the connector as a guide, and thoroughly abrade the exposed conductor. Set the branch conductor to achieve a curve-to-curve configuration and cut to length, then strip the insulation to match the main and abrade the exposed conductor. Loosely fit the connector, ensuring that the conductors are correctly aligned before fully tightening the socket head screws using a 3/16" hexagonal drive.