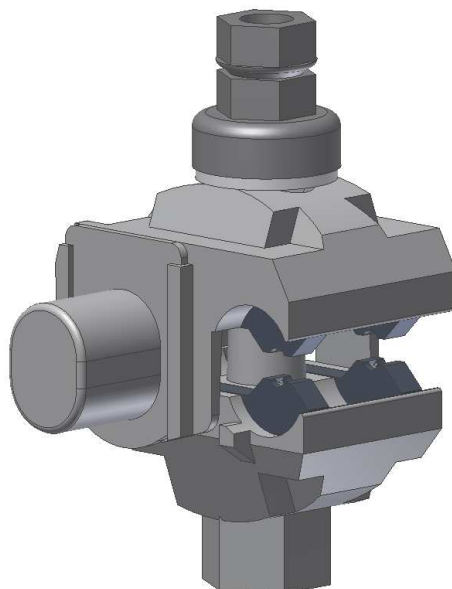


SS Connectors



Principle Application:

ESI 09-7 Service: P.V.C Insulated Concentric Service Cable.

- single core circular stranded copper.
- single or three phase circular solid aluminium.

Range:

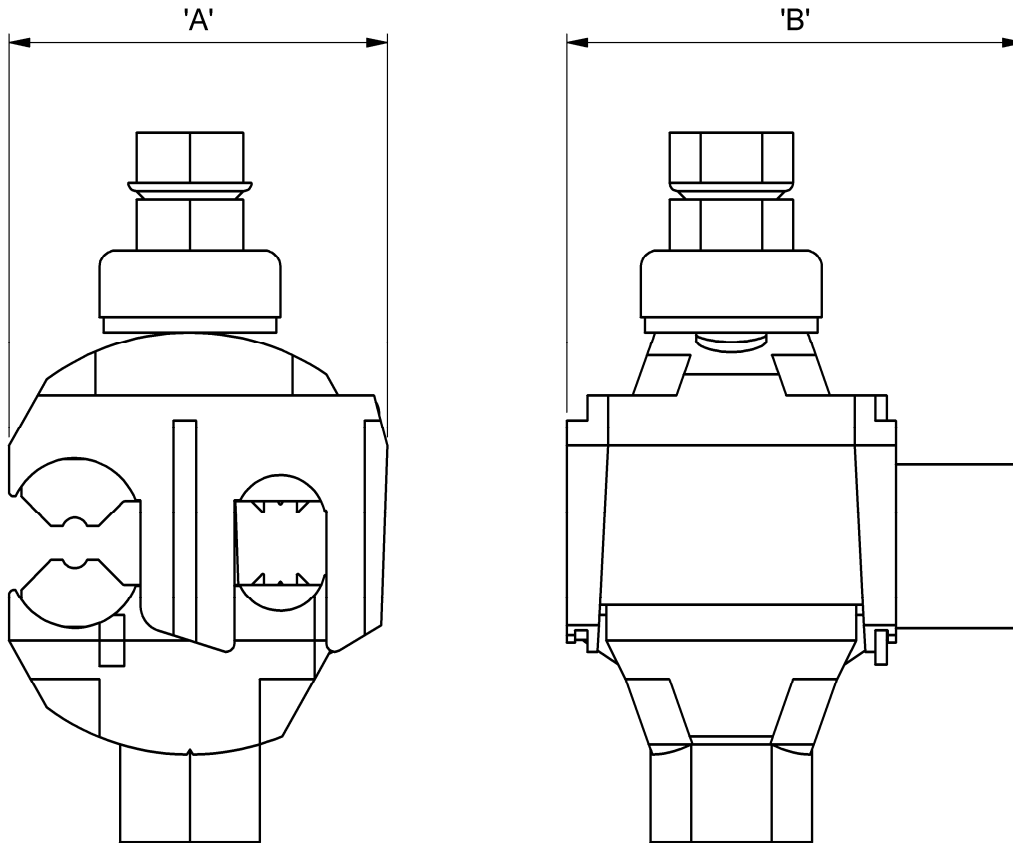
Connector Reference	Phase Conductor (mm ²)	
	Circular Stranded Copper	Circular Solid Aluminium
SS 35/4	4	25
	4	35
	-	35 - 35
	-	25 - 35
	-	25 - 35

The Hepworth LV **Fully Insulated** insulation-piercing service/service connector has been specifically designed to improve the level of safety during live jointing by eliminating the need to remove the core insulation.

This connector offers a quick, reliable and **inherently safe** method for the connection of both stranded and circular solid service cables.

SS Connectors

Physical Dimensions



Connector Reference	Dimensions (mm)	
	'A'	'B'
SS 35/4	44	55