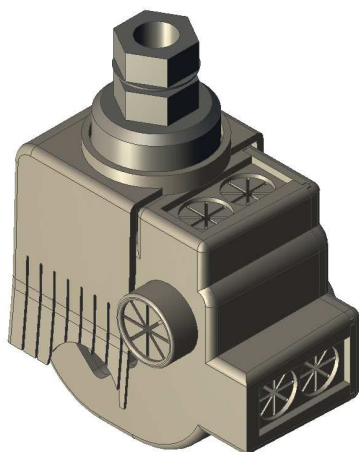


LV Fully Insulated,
Insulation - Piercing
Mains Service Connectors
(with single / double service)

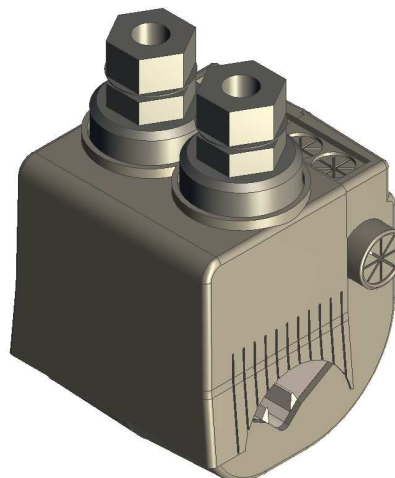
MECHANICAL CONNECTORS



CMS2 95/35, CMS2 185/35, CMS2 300/35 & CMS2 300/35-2 Connectors



'CMS2 95/35'
'CMS2 185/35'
'CMS2 300/35'



'CMS2 300/35-2'

Principle Application:

For the LV jointing of aluminium/copper, stranded or solid service cables to sector shaped, solid/stranded, aluminium/copper mains cables.

Range:

Connector Reference	Core C.S.A. (mm ²)		
	Mains		Service x 2
	Min.	Max.	
CMS2 95/35	70	95	4 - 35
CMS2 185/35	120	185	4 - 35
CMS2 300/35	240	300	4 - 35
CMS2 300/35-2	240	300	4 - 35

Note: For jointing other core configurations/sizes please contact Sicame Technical Dept

The **Hepworth CMS2 xxx/35** range of insulated, insulation piercing connectors has been designed to improve the level of safety during live jointing by eliminating the need to remove core insulation.

They provide the end user with a quick, reliable and inherently safe method of jointing 'live' with facility to withstand service 'load pick up'.

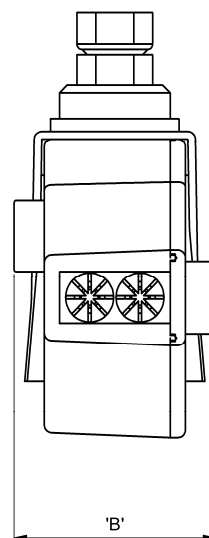
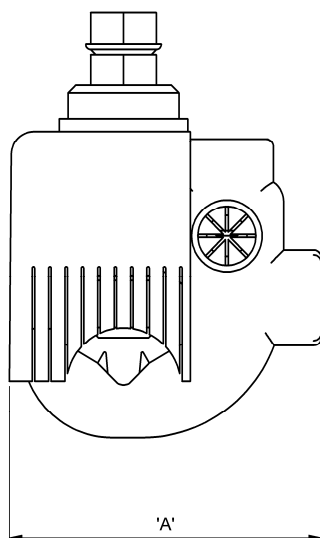
LV Fully Insulated,
Insulation - Piercing
Mains Service Connectors
(with single / double service)

MECHANICAL CONNECTORS

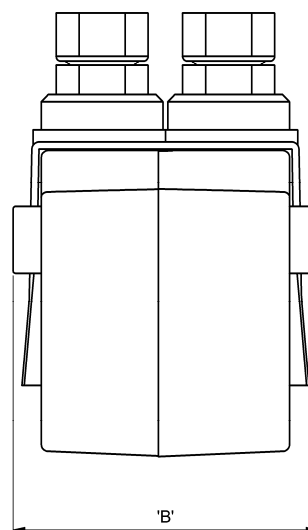
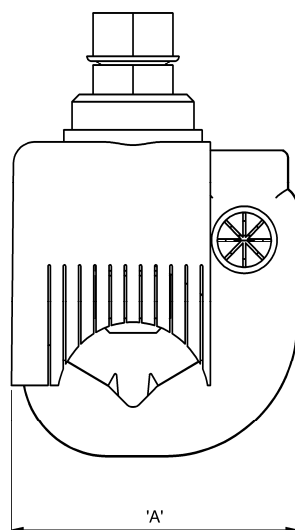
CMS2 95/35, CMS2 185/35, CMS2 300/35 & CMS2 300/35-2 Connectors

Physical Dimensions

'CMS2 95/35'
'CMS2 185/35'
'CMS2 300/35'



'CMS2 300/35-2'



Material:

Aluminium Alloy Body (Plated)
Brass (Service Grub Screws)
A.B.S. (Connector Jacket)

Test Specification:

BS EN61238-1 : 2003: Compression and mechanical connectors for power cables rated up to 36KV.

TTR/315, 316 & 317

Connector Reference	Dimensions (mm)	
	'A'	'B'
CMS2 95/35	58.0	40.0
CMS2 185/35	62.0	40.0
CMS2 300/35	68.0	40.0
CMS2 300/35-2	61.0	65.0