

Tools

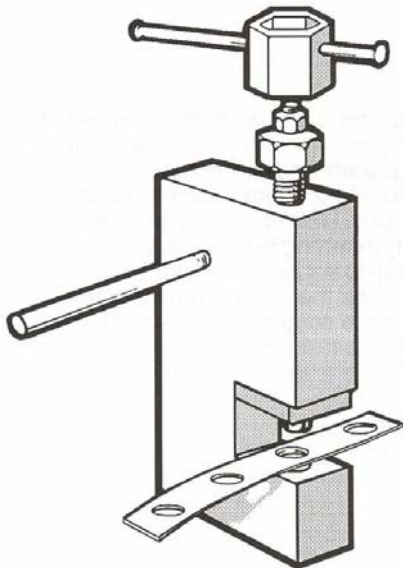
CABLE JOINTING TOOLS

JTS Tools

JTS/4

Jointers Piercing Tool

Dimensions (Folded) : 203mm x 88mm Weight: 1616 gms



The Hepworth Piercing Tool is hand-operated and designed to cut holes in metal strip on site. Each tool is supplied with a detachable holding handle and operating spanner and is suitable for use on steel, copper and aluminium.

For copper earth strip, steel tape cable armour, copper bus bars not thicker than 1/8", or aluminium cable sheaths, to provide clearance for 3/16 " or 3/8 " bolts or rivets.

