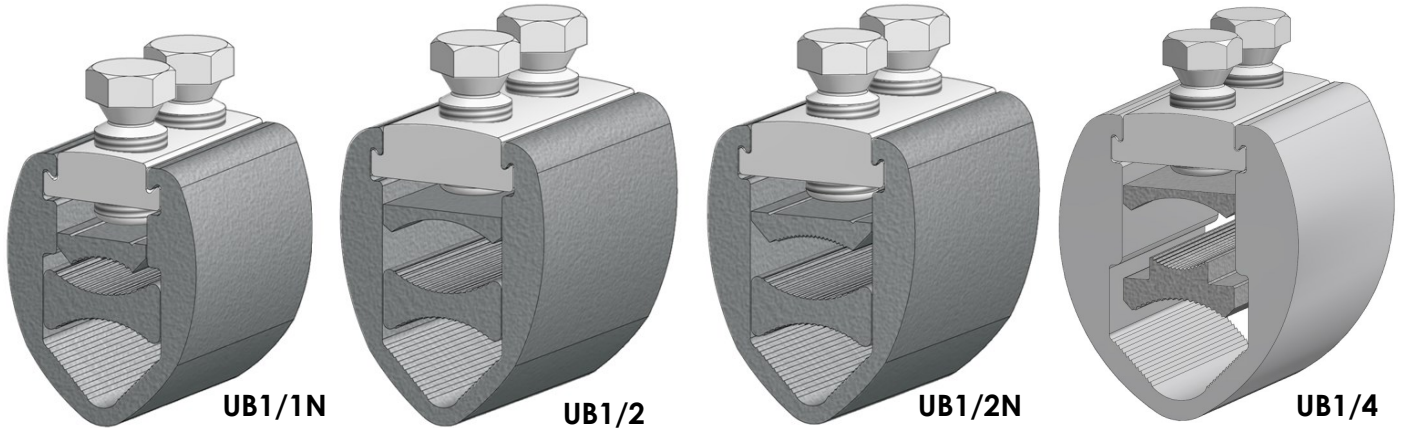


**Mains Branch Connectors
for Heat-Shrink Insulation**

**MECHANICAL
CONNECTORS**

UB1 Connector (for Railway RSC Connections)

Refer to Network Rail Certificate of Acceptance PA05/06172



Principle Application

Stranded circular shaped conductors in the following ranges: -

Connector Reference (Part Number)	Core c.s.a (mm ²)			Approx Unit Weight (gms)	Network Rail Catalogue No.
	Mains	Branch			
		Min	Max		
UB1/1N (51807-43)	150	16	150	245	0091/019075
UB1/2 (51807-47)	250	N/A	150	310	0091/019077
UB1/2N (51807-50)	250	35	120	310	0091/019076
UB1/4 (51807-75)	250	N/A	250	427	0091/019086
Heatshrink Accessory Pack (52202-22)					0091/019085

Note: The supplied brass gauze must be wrapped around any copper conductors prior to jointing.

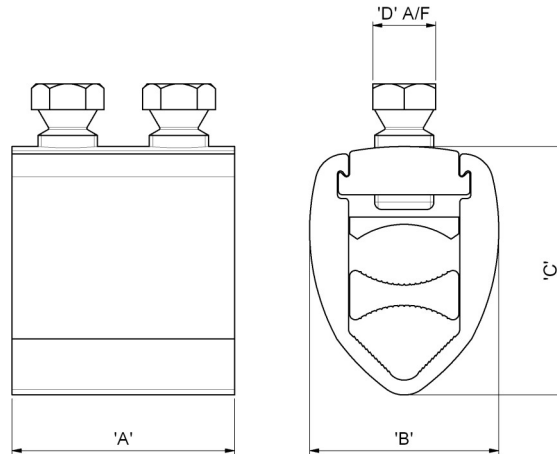
The **Sicame UB range** of connectors has been designed specifically for use with polymeric heat shrink insulation materials. When fully assembled the connector forms a smooth, contoured profile, free from projections and sharp edges, allowing the insulation to shrink evenly around the connection. The connector is simple to fit and the shear head screws ensure that the correct clamping pressure is applied. A consistent connection is achieved without the use of specialised tooling.

The connector is supplied individually packed complete with fitting instructions.

***Note:** All the above connectors can be supplied with a heatshrink accessory pack (0091/019085) to ensure adequate protection against touch potential voltages (please refer to PA05/06172).

UB1 Connector

Physical Dimensions



Ref. Code (Part Number)	Dimensions (mm)			
	A	B	C	D
UB1/1N (51807-43)	50.0	48.0	62.0	17.0
UB1/2 (51807-47)	60.0	51.0	67.0	17.0
UB1/2N (51807-50)	60.0	51.0	67.0	17.0
UB1/4 (51807-75)	60.0	61.2	76.0	17.0

Material

Aluminium Alloy

Fitting Instructions

1. Separate the main cable cores to enable the yoke of the connector to be fitted around the conductor.
2. Strip the insulation equal to the length of the connector plus 5mm from the core at the selected connection position.
3. Set the branch core and cut to the required length and strip the insulation as above.
4. Thoroughly abrade all exposed conductors.
5. Pass the connector yoke around the mains conductor and insert the transition pressure pads.
6. Locate the branch core in the yoke and insert the pressure pad and bridge piece.
7. Ensure the assembly is correctly aligned and hold firmly.
8. Complete the operation by tightening the screws a quarter of a turn at a time until both heads shear off.

Note:

If copper conductors are to be jointed they should be wrapped in brass gauze before insertion into the yoke to improve electrical stability of the aluminium/copper interface in the connection.