

**MF4 Hybrid Connectors  
- Heat Shrink Section**



**Principle Application:**

Stranded and solid shaped service conductors.

**Range:**

Product Reference (Part Number)	Type	Core C.S.A. (mm <sup>2</sup> )	
		Min	Max
MF4/24 (2466-317)	Straight Through	6*	16
MF4/25 (2466-318)	Moisture Blocked	6*	16

Note: For jointing other core configurations/sizes please contact Sicame Engineering Dept

The **Sicame MF4** hybrid range of mechanical connectors are designed for straight connections on stranded or solid service cables. The aluminium connector yoke is electro-tinned as standard and is supplied with brass grub screws making it suitable for jointing copper/aluminium, sector/circular shaped conductors.

This particular range of mechanical ferrules have been specifically designed for joints where a cold or heat shrink sleeving is a requirement.

**MF4 Hybrid Connectors  
- Heat Shrink Section**

**Secondary Application:**

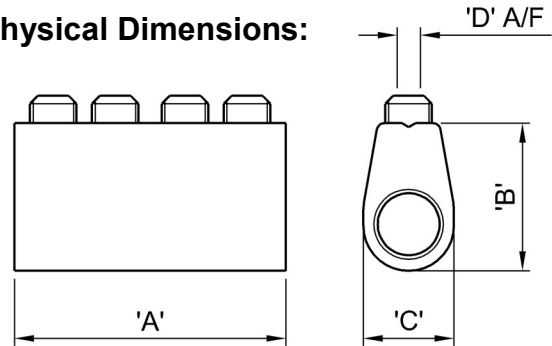
Stranded and solid circular conductors.

**Range:**

Product Reference (Part Number)	Type	Maximum Core C.S.A. (mm <sup>2</sup> )	
		Solid	Stranded
MF4/24 (2466-317)	Straight Through	35	35
MF4/25 (2466-318)	Moisture Blocked	35	35

\* Note: Conductors below 6mm<sup>2</sup> should be doubled and, if necessary, doubled again to achieve a satisfactory cross sectional area.

**Physical Dimensions:**



Product Reference (Part Number)	Dimensions (mm)			
	'A'	'B'	'C'	'D'
MF4/24 (2466-317)	35.0	19.0	11.7	3.0
MF4/25 (2466-318)	44.0	19.0	11.7	3.0

**Material:**

**Body:** Aluminium Alloy (Tinned)

**Screws:** Brass

**Test Specification:**

**BS EN 61238-1 : 2003** Compression and Mechanical Connectors for power cables for rated voltages up to 36 kV. Test Methods and Requirements.

Test report numbers - TTR/320, TTR/321, TTR/324, TTR/325, TTR/331, TTR/333

**Fitting Instructions:**

1. Strip the core insulation equal to the length of the connector + 3mm.
2. Thoroughly abrade and clean all conductors to be joined.
3. Align cores within connector and tighten screws on each side of the connector consecutively, until tight.

**Note:** \* Conductor cores 4mm<sup>2</sup> and below should be doubled, and if necessary doubled again, to achieve the necessary cross-sectional area.