

Mechanical termination  
with moisture / contaminant  
block

## MECHANICAL CONNECTORS

### LVML/...-4H Aluminium Connectors



#### Principle Application:

Termination of circular stranded aluminium or copper conductors.

#### Range:

Product Reference	Stranded Core Size		Stud Size
	Min	Max	
LVML/3-4H	500 kcmil (253mm <sup>2</sup> )	1000 kcmil (507mm <sup>2</sup> )	4 x 1/2"

The 'LVML/...-4H' range of mechanical terminations are manufactured from a single piece hot forging thereby ensuring a water proof connection.  
The product utilise the patented universal range taking shear bolts.  
(USA Patent No's 6209424 & 6321624)

It is recommended that the appropriate socket is to be used at all times, typical examples shown below.



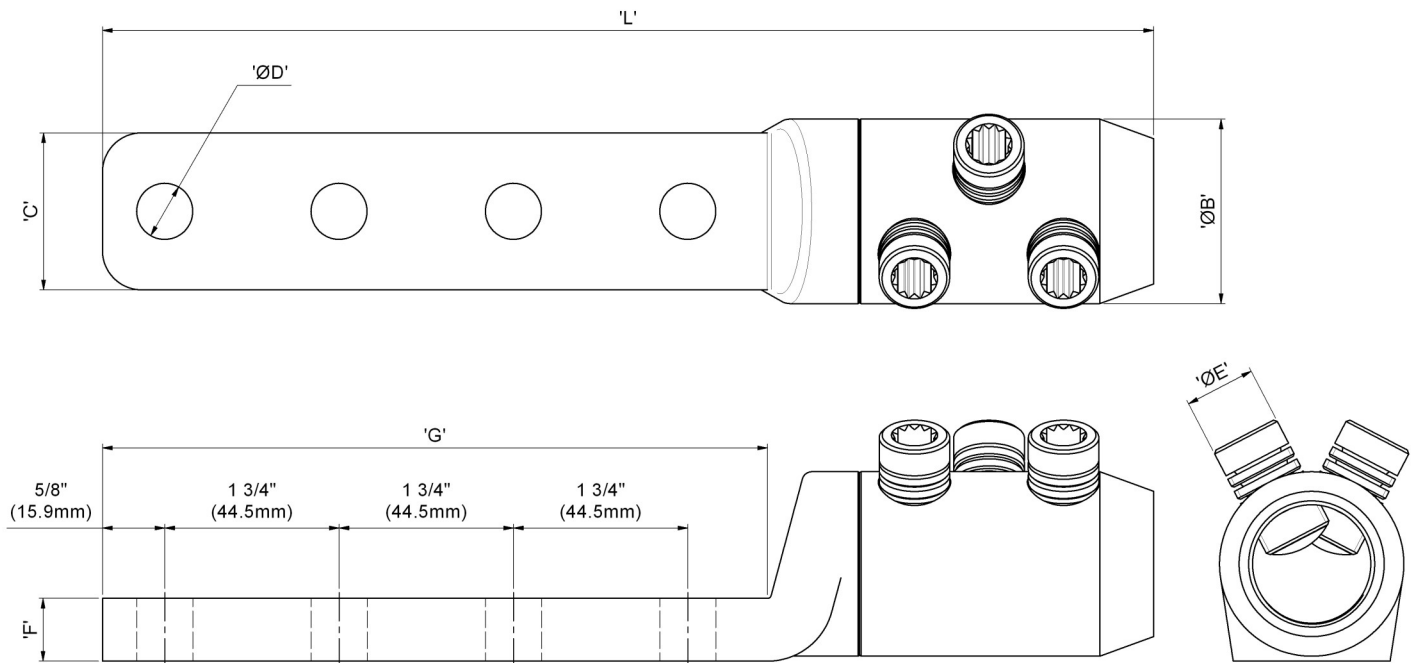
JTS/9' 1/2" sq Driver

Mechanical termination  
with moisture / contaminant  
block

## MECHANICAL CONNECTORS

### LVML/...-4H Aluminium Connectors

#### Physical Dimensions



Connector Reference	Dimensions						
	'L'	'ØB'	'C'	'ØD'	'ØE'	'F'	'G'
LVML/3-4H	10.55" (268mm)	1.85" (47mm)	1.57" (40mm)	0.56" (14.3mm)	M18	5/8" (16mm)	6.67" (169.5mm)

**Material:** Aluminium Alloy (Electro-Tinned)

**Test Specification:** Designed to meet the requirements of ANSI C119.4  
Class 2 Partial Tension / IEEE 404

**Test Report No:** TTR/274 (Torque Resistance & Tensile)

#### Fitting instructions:

1. Strip the insulation from the core equal to the depth of the bore.
2. Wire brush the exposed conductor core and wipe clean.
3. Align and position the conductor core into the bore ensuring that the core is fully inserted.
4. Hand tighten the universal shear screws and then torque tighten one turn at a time, using the correct socket, until the bolts have sheared.