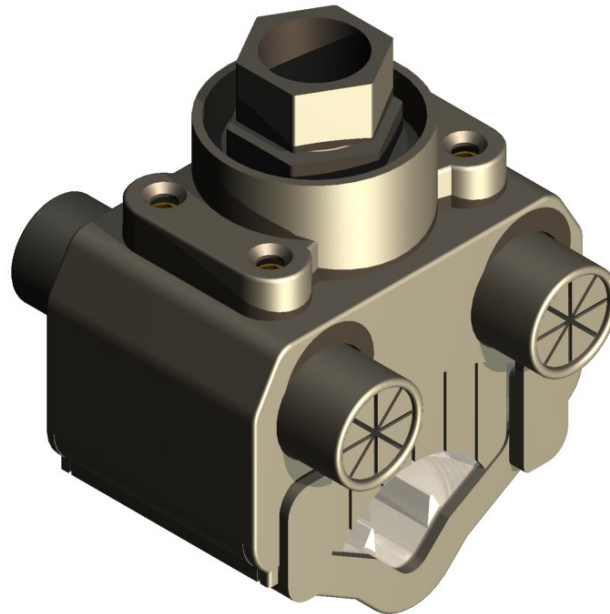


LV Fully Insulated,  
Insulation - Piercing  
Mains Service Connectors  
(with single / double service)

## MECHANICAL CONNECTORS

### NMS185/35 & NMS300/35 Connectors



#### Principle Application:

For the LV jointing of aluminium/copper, stranded or solid service cables to sector shaped, solid/stranded, aluminium/copper mains cables.

#### Range:

Connector Reference	Core C.S.A. (mm <sup>2</sup> )		
	Mains		Service x 2
	Min.	Max.	
NMS185/35	70	185	4 - 35
NMS300/35	240	300	4 - 35

Note: For jointing other core configurations/sizes please contact Sicame Engineering Dept

The **Sicame NMSxxx/35** ..... range of insulated, insulation piercing connectors has been designed to improve the level of safety during live jointing by eliminating the need to remove core insulation.

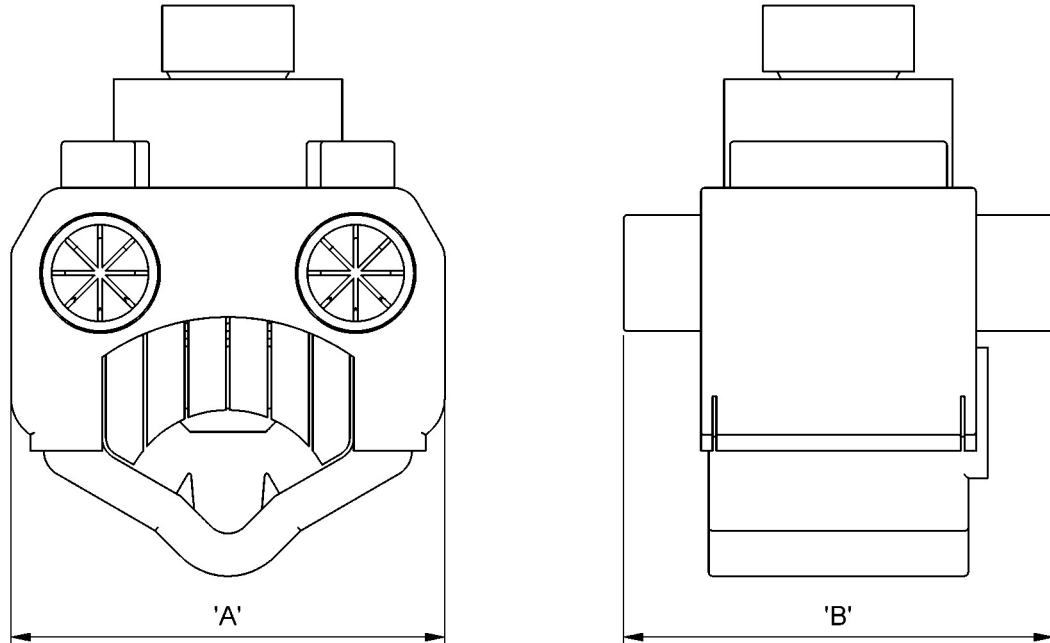
They provide the end user with a quick, reliable and inherently safe method of jointing 'live' with facility to withstand service 'load pick up'.

LV Fully Insulated,  
Insulation - Piercing  
Mains Service Connectors  
(with single / double service)

## MECHANICAL CONNECTORS

### NMS185/35 & NMS300/35 Connectors

#### Physical Dimensions



Connector Reference	Dimensions (mm)	
	'A'	'B'
NMS185/35	47.5	58.0
NMS300/35	56.0	58.0

#### Material:

**Connector:** Aluminium Alloy (Tinned)  
**Service Screws:** Brass  
**Shroud:** Polypropylene

**Test Specification:** BS EN 6128-1 Class B

**Test Reports:** TTR/341, TTR/342, TTR/343, TTR/344, TTR/356,  
TTR/357